

**ONKYO® SERVICE MANUAL****Integrated Stereo Amplifier  
MODEL A-9911****Black, Silver and Golden color models**

BUP/SUP	230V AC, 50Hz
BUW/GUW	120V/220V AC, 50Hz/60Hz
BUD/GUD	120V AC, 60Hz

**SAFETY-RELATED COMPONENT WARNING!!**

COMPONENTS IDENTIFIED BY MARK  $\Delta$  ON THE SCHEMATIC DIAGRAM AND IN THE PARTS LIST ARE CRITICAL FOR RISK OF FIRE AND ELECTRIC SHOCK. REPLACE THESE COMPONENTS WITH ONKYO PARTS WHOSE PART NUMBERS APPEAR AS SHOWN IN THIS MANUAL.

MAKE LEAKAGE-CURRENT OR RESISTANCE MEASUREMENTS TO DETERMINE THAT EXPOSED PARTS ARE ACCEPTABLY INSULATED FROM THE SUPPLY CIRCUIT BEFORE RETURNING THE APPLIANCE TO THE CUSTOMER.

**TABLE OF CONTENTS**

Specifications .....	2
Service Safety Precautions .....	2
Adjustment Procedures .....	3
Chassis Exploded View Parts List .....	4
Chassis Exploded View .....	5
Printed Circuit Board View From Bottom Side .....	7
Printed Circuit Board Parts List .....	13
Block Diagram .....	16
IC Block Diagrams .....	16
Schematic Diagrams .....	17
Packing Parts List .....	21

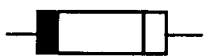


# SPECIFICATIONS

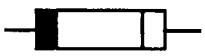
Power Output:	90 watts per channel, min. RMS, at 8 ohms, both channels driven from 20 Hz to 20 kHz, with no more than 0.06% Total harmonic distortion. 160 watts per channel, RMS, at 4 ohms, both channels driven at 1 kHz, with no more than 1% Total harmonic distortion. (DIN)	Tone Control (Vol -22 dB):	TREBLE (Turnover: 7 kHz) ±10 dB at 20 kHz BASS (Turnover: 200 Hz) +15 / -6 dB at 20 Hz MIDBASS PRESENCE ±6 dB at 200 Hz / 300 Hz
Dynamic Power:	283 watts at 2 ohms 185 watts at 4 ohms 108 watts at 8 ohms	Subsonic Filter:	15 Hz (12 dB / oct.)
Total Harmonic Distortion:	0.06% at rated power 0.06% at 1 watt output	High Cut Filter:	TREBLE min. 6 kHz (6 dB / oct.)
Intermodulation Distortion:	0.06% at rated power	Attenuator:	-20 dB
Damping Factor:	130 at 8 ohms (1 kHz)	Signal to Noise Ratio (IHF-A):	PHONO (MM) 5 mV input 87 dB PHONO (MC) 0.5 mV input 70 dB CD, TUNER, LINE, TAPE-PLAY (TONE) 105 dB CD, TUNER, LINE, TAPE-PLAY (SOURCE) 117 dB
Input Sensitivity / Impedance:	PHONO (MM) 3 mV / 47 kohms PHONO (MC) 300 μV / 100 ohms CD, TUNER, LINE, TAPE-PLAY (TONE) 300 mV / 25 kohms CD, TUNER, LINE, TAPE-PLAY (SOURCE) 450 mV / 25 kohms POWER AMP DIRECT 450 mV / 25 kohms	Power Supply:	POWER AMP DIRECT 117 dB European & U.K & Australian models AC 230 V, 50 Hz U.S.A. & Canadian models AC 120 V, 60 Hz Worldwide models AC 120 V and AC 220-230 V switchable, 60 / 50 Hz
Output Level / Impedance:	TAPE-REC 300 mV / 1.5 kohms (PHONO)	Dimensions (W × H × D):	435 × 165 × 444 mm 17-1/8" × 6-1/2" × 17-1/2"
Phono Overload:	MM: 1 kHz / 10 kHz at 0.05% THD 100 mV / 480 mV MC: 1 kHz / 10 kHz at 0.1 % THD 10 mV / 48 mV	Weight:	19.7 kg, 43.4 lbs.
Frequency Response:	CD, TUNER, LINE, TAPE-PLAY (SOURCE) 2 Hz — 50 kHz (+0, -1 dB) PHONO (MM) (RIAA Deviation) ±0.3 dB, 20 Hz — 20 kHz		

## SERVICE SAFETY PRECAUTIONS

### 1. Replacing the fuses



This symbol located near the fuse indicates that the fuse used is fast operating type. For continued protection against fire hazard, replace with same type fuse. For fuse rating refer to the marking adjacent to the symbol.



Ce symbole indique que le fusible utilise est a rapide.

Pour une protection permanents, n'utiliser que des fusibles de meme type.

Ce dernier est indique la qu le present symbol est appose.

Circuit No.	Part No.	Description
F901	252077	4A-SE-EAK <P><T>
	252154	8A-TSC <D><W>
F902	252070	1A-SE-EAK <P><T>
	252077	4A-SE-EAK <W>

### 2. Safety-check out

(Only U.S.A. model)

After correcting the original service problem, perform the following safety check before releasing the set to the customer.

Connect the insulating-resistance tester between the plug of power supply cord and the screw on the back panel.

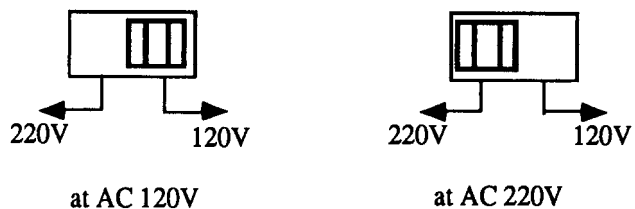
Specifications : 3.3Mohm ± 10% at 500V.

### 3. Voltage Selector (Rear Panel)

Worldwide models are equipped with a voltage selector to conform to local power supplied.

Be sure to set this switch to match the voltage of the power supply in your area before plugging in the unit. Models without a voltage selector can only be used in area where the power supply is the same as that of the unit.

#### VOLTAGE SELECTOR



#### Setting the voltage selector

- Determine the proper for voltage for your area : 220V or 120V.
- If the preset voltage is not proper for your area, insert a screwdriver into the groove in the switch. Slide the switch all the way to the right (120V) or to the left (220V), which-ever is proper.

# ADJUSTMENT PROCEDURES

## 1. Preparations

- 1) Place the unit on the workbench. (There should be about 15 mm of space between the base plate of the unit and the work surface.)
- 2) Set up the unit as follows.
  - (1) No load
  - (2) No signal
  - (3) Volume turned all the way down
  - (4) Speaker switch OFF
  - (5) Power switch OFF

Note) Check the following points before making adjustments

- (1) The power switch should be OFF.
- (2) The interior of the unit should not be warm.

## 2. Idling current adjustment

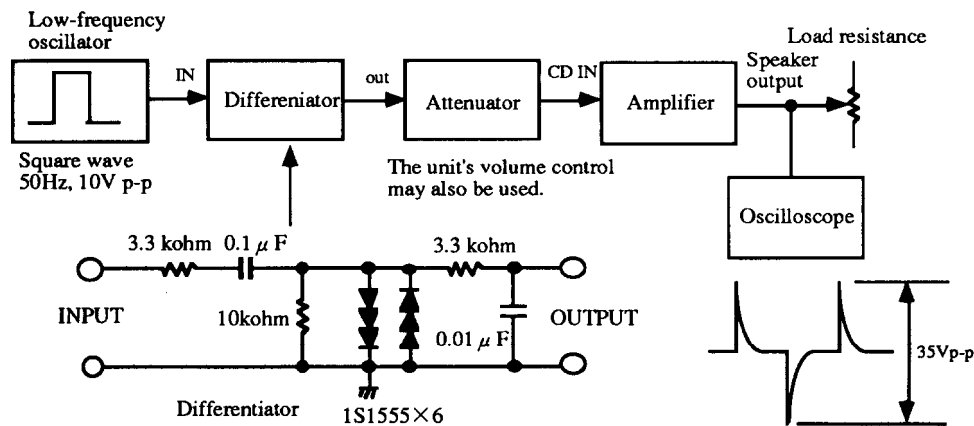
- 1) Turn the power switch ON and allow the unit to warm up for about 10 minutes.
    - (1) Adjust R617(R618) so that the voltage at test point IID-ID P621(P622) on the NAAF-5536 circuit board is  $6.5\text{mV} \pm 2\text{mV}$ .
- NOTE) Semi-fixed resistors enclosed in parentheses ( ) are for the right channel.

## 3. Check of operation of protection circuitry

- 1) Check of operation of protection relay.
  - (1) Confirm that the relay turns ON approximately 8 seconds after the power switch is turned ON.
  - (2) The relay should turn OFF approximately 0.5 seconds after the power switch is turned OFF.
- 2) Check of DC detection
  - (1) Turn the power on with no load.
  - (2) After the speaker relay turns ON, apply DC +400 mV to the line input terminals. Confirm that the relay turns OFF.
  - (3) Confirm that operation is the same as (2) above when an input of DC -400 mV is applied.

Note) Under no circumstances connect a load or short the speaker terminals when performing the above test.
- 3) Confirmation of current detection operation
  - (1) Signal input from the circuit illustrated below with no load.
  - (2) Confirm that the speaker relay does not turn OFF even when a 2 ohm load is connected when a peak value of 35Vp-p is output.
  - (3) Next, confirm that when a 1 ohm load is connected the speaker relay switches OFF and ON a couple of times and then stays OFF.

Note) The period before that relay stays OFF should not last for more than 10 second. Relay OFF status can be canceled by switching the power OFF.

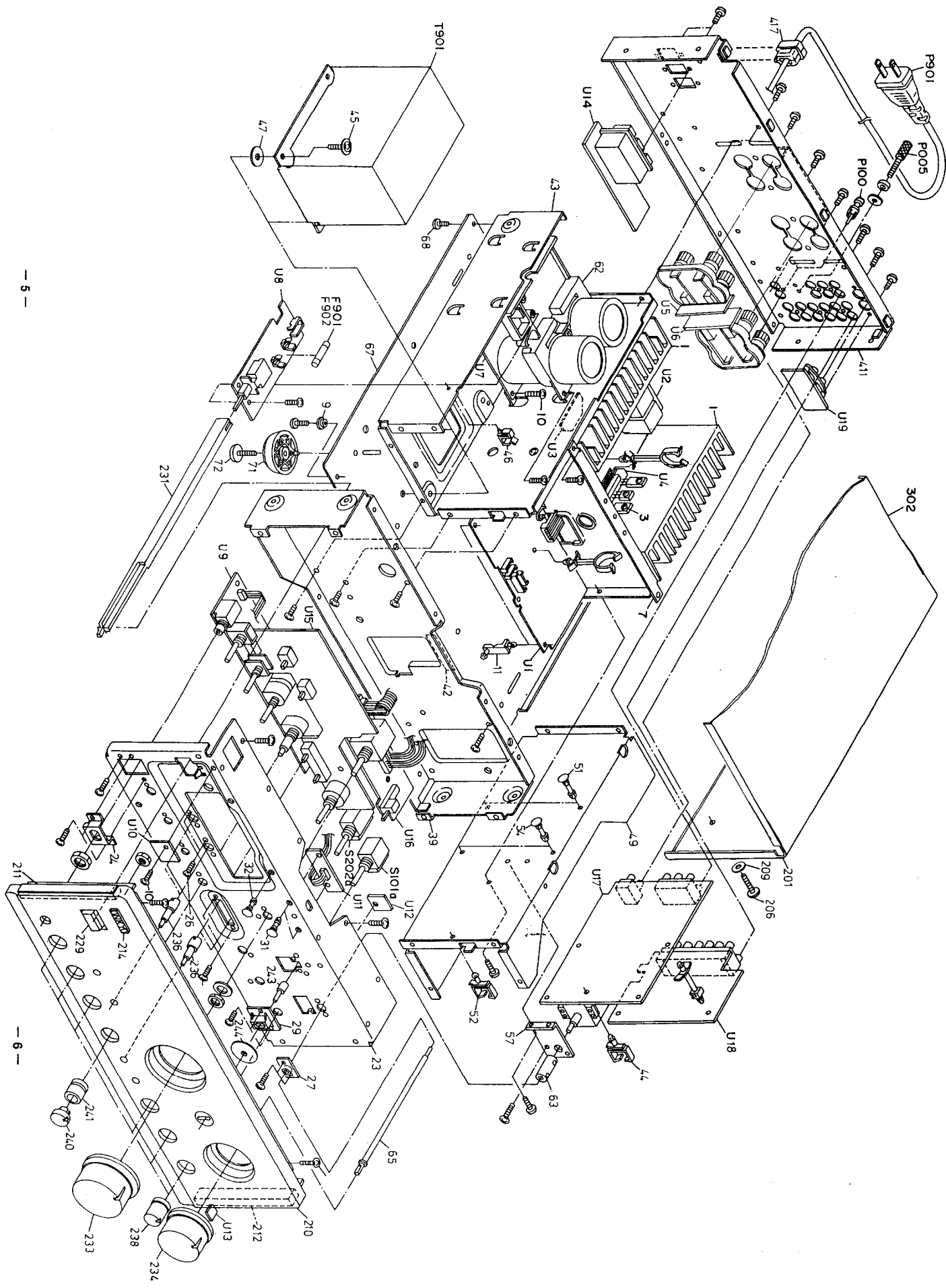


# CHASSIS EXPLODED VIEW PARTS LIST

REF. NO.	PART NO.	DESCRIPTION	REF. NO.	PART NO.	DESCRIPTION
1	27160363	Heat sink	Q617,Q618	2202514 or	* 2SA1695-Y or
3	801433	Self-tapping screw 3SMS8W.SW+14B(BC)		2202516 or	* 2SA1695-P or
7	27130756B	Bracket (FH)		2202513	* 2SA1695-O, Power transistor
9	800529	Bushing	Q619,Q620	2202524 or	* 2SC4468-Y or
10	838130088	Self-tapping screw 3TTB+8B		2202526 or	* 2SC4468-P or
11	27190966	Holder (PC)		2202523	* 2SC4468-O, Power transistor
23	27110889A	Front bracket	F901	252077	▲ 4A-SE-EAK, Fuse <P><T>
24	27141649	Retainer (HP)		252154	▲ 8A-TSC, Fuse <D><W>
26	838430107	Self-tapping screw 3TTB+10S(BC)	F902	252070	▲ 1A-SE-EAK, Fuse <P><T>
27	27267871	Guide (SEL)		252077	▲ 4A-SE-EAK, Fuse <W>
29	27267878	Guide (D)	P005	25060151	Terminal (GND)
31	27190503A	Holder, KGLS-8RF	P100	250153	P-0107, Short pin
32	27190657	Holder, KGLS-18RF	P901	253192HIT	▲ AS-UC-6#18, (SPT-2), AC Cord <D>
39	27130758B	Bracket (SHLD)		253193HIT	▲ AS-CEE, AC Cord <P>
42	28141319	Cushion, 5x15x30		253198HIT	▲ AS-BS, AC Cord <P>
43	27130759A	Bracket (PT)		253193HIT	▲ AS-CEE, AC Cord <T>
44	27190608-1	Holder, UAMS-09-0		253233KAW	▲ AS-CEE-2, AC Cord <W>
45	830440109	Self-tapping screw, 4TTC+10C(BC)	S101	25030383A	NRSF-102-30BU, Rotary (Cartridge)
46	27190964	Holder (PT)	S202	25030384B	NRSF-106-30BU, Rotary (Rec. selector)
47	27270307	Spacer (PT) t=2	T901	2301165	NPT-1259DG, Power transformer <W>
49	27130760	Bracket (R)		2301166	NPT-1259P, Power transformer <P><T>
51	27190965	Holder, KGPS-12RF		2301167	NPT-1259D, Power transformer <D>
52	27300833	Clamp, WS-2NS	U-1	1A635535-3A	NAAF-5535-3A, Main pc board ass'y <D>
54	27190266	Holder, KGLS-12RF		1A635535-3B	NAAF-5535-3B, Main pc board ass'y <P><T><W>
57	27141648	Retainer (INP)	U-2	1A635536-3A	NAAF5536-3A, Power Amp. pc board ass'y <D>
62	27190962	Holder (CH)		1A635536-3B	NAAF5536-3B, Power Amp. pc board ass'y <P><T><W>
63	27273156A	Joint (SEL)	U-3	1A635537-3A	NAETC-5537-3A, Driver L pc board ass'y <D>
65	27260336	Shaft (SEL)AS		1A635537-3B	NAETC-5537-3B, Driver L pc board ass'y <P><T><W>
67	27170307	Bottom Board	U-4	1A635537-3A	NAETC-5537-3A, Driver R pc board ass'y <D>
68	801525	Self-tapping screw 3TTB+8B(BC)		1A635537-3B	NAETC-5537-3B, Driver R pc board ass'y <P><T><W>
71	27175308B	Leg ass'y	U-5	1A635538-3A	NAETC-5538-3A, Speaker terminal L pc board ass'y <D>
72	837440169	Self-tapping screw 4TTT+16C(BC)		1A635538-3B	NAETC-5538-3B, Speaker terminal L pc board ass'y <P><T><W>
201	28184631	Top Cover <B>	U-6	1A635541-3A	NAETC-5541-3A, Speaker terminal R pc board ass'y <D>
	28184638	Top Cover <S>		1A635541-3B	NAETC-5541-3B, Speaker terminal R pc board ass'y <P><T><W>
	28184630	Top Cover <G>	U-7	1A635549-3A	NAPS-5549-3A, Power supply board ass'y <D>
206	838440089	Self-tapping screw 4TTB+8C(BC) <B>		1A635549-3B	NAPS-5549-3B, Power supply board ass'y <P><T>
	838240089	Self-tapping screw 4TTB+8C(NI) <S><G>		1A635549-3C	NAPS-5549-3C, Power supply board ass'y <W>
209	28170044A	Bushing (COV)	U-8	1A635550-3A	NASW-5550-3A, Power switch pc board ass'y <D>
210	1A635121	Front Panel ass'y <B>		1A635550-3B	NASW-5550-3B, Power switch pc board ass'y <P><T>
	1A636121	Front Panel ass'y <S>		1A635550-3C	NASW-5550-3C, Power switch pc board ass'y <W>
	1A637121	Front Panel ass'y <G>	U-9	1A635552-3A	NAAF-5552-3A, Direct tone pc board ass'y <D>
211	28125317	End Cap (L) <B>		1A635552-3B	NAAF-5552-3B, Direct tone pc board ass'y <P><T>
	28125319	End Cap (L) <S>		1A635552-3C	NAAF-5552-3C, Direct tone pc board ass'y <W>
	28125299A	End Cap (L) <G>	U-10	1A635553-3A	NADIS-5553-3A, Power indicator pc board ass'y <D>
212	28125318	End Cap (R) <B>		1A635553-3B	NADIS-5553-3B, Power indicator pc board ass'y <P><T>
	28125320	End Cap (R) <S>		1A635553-3C	NADIS-5553-3C, Power indicator pc board ass'y <W>
	28125300A	End Cap (R) <G>	U-11	1A635554-3A	NADIS-5554-3A, Volume indicator pc board ass'y <D>
229	28325264	Knob (POW)AS <B>		1A635554-3B	NADIS-5554-3B, Volume indicator pc board ass'y <P><T>
	28325265	Knob (POW)AS <S>		1A635554-3C	NADIS-5554-3C, Volume indicator pc board ass'y <W>
	28325238	Knob (POW)AS <G>	U-12	1A635555-3A	NADIS-5555-3A, Connector pc board ass'y <D>
231	27273160	Joint (POW)		1A635555-3B	NADIS-5555-3B, Connector pc board ass'y <P><T>
233	28325284	Knob (VOL)AS <B>		1A635555-3C	NADIS-5555-3C, Connector pc board ass'y <W>
	28325285	Knob (VOL)AS <S>	U-13	1A635556-3A	NADIS-5556-3A, Input selector indicator pc board ass'y <D>
	28325182A	Knob (VOL)AS <G>		1A635556-3B	NADIS-5556-3B, Input selector indicator pc board ass'y <P><T>
234	28325286	Knob (SEL)AS <B>		1A635556-3C	NADIS-5556-3C, Input selector indicator pc board ass'y <W>
	28325287	Knob (SEL)AS <S>	U-14	1A635551-3A	NAETC-5551-3A, AC outlet pc board ass'y <D><P><W>
	28325288	Knob (SEL)AS <G>		1A635551-3B	NAETC-5551-3B, AC outlet pc board ass'y <D><P><W>
236	28325274	Knob (PUSH) <B>		1A635551-3C	NAETC-5551-3C, AC outlet pc board ass'y <D><P><W>
	28325275	Knob (PUSH) <S>	U-15	1A635542-3A	NAAF-5542-3A, Tone control pc board ass'y <D><W>
	28325184A	Knob (PUSH) <G>		1A635542-3B	NAAF-5542-3B, Tone control pc board ass'y <P> <T>
238	28325278	Knob (TONE)AS <B>	U-16	1A635543-3A	NAAF-5543-3A, Volume pc board ass'y <D><W>
	28325279	Knob (TONE)AS <S>		1A635543-3B	NAAF-5543-3B, Volume pc board ass'y <P> <T>
	28325185B	Knob (TONE)AS <G>	U-17	1A635544-3A	NAAF-5544-3A, Equalizer pc board ass'y <D><W>
240	28325280	Knob (T-1) <B>		1A635544-3B	NAAF-5544-3B, Equalizer pc board ass'y <P> <T>
	28325281	Knob (T-1) <S>	U-18	1A635545-3A	NASW-5545-3A, Recording selector pc board ass'y <D><W>
	28325186B	Knob (T-1) <G>		1A635545-3B	NASW-5545-3B, Recording selector pc board ass'y <P> <T>
241	28325282	Knob (T-2) <B>	U-19	1A635547-3A	NAETC-5547-3A, Direct CD pc board ass'y <D><W>
	28325283	Knob (T-2) <S>		1A635547-3B	NAETC-5547-3B, Direct CD pc board ass'y <P> <T>
	28325187A	Knob (T-2) <G>			
243	28325193	Knob (D)			
244	28141314	Cushion (D)			
411	27122171	Rear Panel <B><G> <D>			
	27122173	Rear Panel <B><G> <W>			
	27122172	Rear Panel <B><S><G> <P><T>			
417	27300750	▲ Cord Bushing #2271			
Q613, Q614	2202514 or	* 2SA1695-Y or			
	2202516 or	* 2SA1695-P or			
	2202513	* 2SA1695-O, Power transistor			
Q615, Q616	2202524 or	* 2SC4468-Y or			
	2202526 or	* 2SC4468-P or			
	2202523	* 2SC4468-O, Power transistor			

NOTE: <S> Silver Color  
 <B> Black Color  
 <G> Golden Color  
 <D> U.S.A. and Canada model  
 <P> 230V model  
 <W> Worldwide model  
 <T> Taiwanese model

# CHASSIS EXPLODED VIEW



# PRINTED CIRCUIT BOARD PARTS LIST

## U-1 MAIN PC BOARD (NAAF-5535)

CIRCUIT NO.	PART NO.	DESCRIPTION
	<b>ICs</b>	
Q571,Q572	222570	NJM4560D-X
	<b>Transistors</b>	
Q501,Q502	2212805 or 2212806 or 2212807	2SK389-GR or 2SK389-BL or 2SK389-V
Q503-Q508	2211732 or 2211733	2SC1845-F or 2SC1845-E
Q509,Q510	2211255	2SC1815-GR
Q511-Q516	2211455	2SA1015-GR
Q517,Q518	2213334	2SK373-Y
Q519-Q524	2211792 or 2211793	2SA992-F or 2SA992-E
Q525,Q526	2211732 or 2211733	2SC1845-F or 2SC1845-E
Q527-Q530	2211634	2SC2229-Y
Q531-Q534	2211354	2SA949-Y
Q971,Q972	2211945	2SK246-GR
Q973	2211255	2SC1815-GR
Q974	2211455	2SA1015-GR
Q975	2211863 or 2215173	2SB647-C or 2SB647A-C
Q976	2211853 or 2215163	2SD667-C or 2SD667A-C
	<b>Diodes</b>	
D971,D972	224472204	MTZJ22D, Zener
	<b>Capacitors</b>	
C501,C502	373631514	KP92-100V, 151J, Plastic
C507,C508	374491054	MKS92 63V, 105J, Plastic
C577-C580	393081007	CE04W50V, 10M, Elect.
C581-C584	393354717	CE04W25V, 470M, Elect.
C591-C594	393374717	CE04W63V, 470M, Elect.
C971,C972	393374717	CE04W63V, 470M, Elect.
C973,C974	393364707	CE04W35V, 47M, Elect.
	<b>Resistors</b>	
R527,R528	443522234	RS1/2WBJ, 22K, Metal oxide film
R529-R534	443528214	RS1/2WBJ, 820, Metal oxide film
R535,R536	443522714	RS1/2WBJ, 270, Metal oxide film
R537-R540	443525604	RS1/2WBJ, 56, Metal oxide film
R541,R542	443528214	RS1/2WBJ, 820, Metal oxide film
R543,R544	443528224	RS1/2WBJ, 8.2K, Metal oxide film
R545,R546	443522714	RS1/2WBJ, 270, Metal oxide film
R547-R550	443525604	RS1/2WBJ, 56, Metal oxide film
R565,R566	442521814	RS1/2WBJ, 180, Metal oxide film <D>
R591-594	453630564	RNU1WCJ, 5.6, Metal
R971-R974	443526814	RS1/2WBJ, 680, Metal oxide film
	<b>Plugs</b>	
P222a	25055134	NPLG-4P118
P231a	25055135	NPLG-5P119
P321a	25055138	NPLG-8P122
P331a	25055134	NPLG-4P118
P503a	25055715	NPLG-3P671
P504a	25055100	NPLG-3P84
P505	25055879	NPLG-10P835
	<b>Socket</b>	
P505a	25051566	NSCT-10P1353
	<b>Terminal</b>	
P506	25060061	1P-5

## U-2 POWER AMP PC BOARD (NAAF-5536)

CIRCUIT NO.	PART NO.	DESCRIPTION
	<b>IC</b>	
Q851	222584	TA7317P
	<b>Transistors</b>	
Q603-Q606	2212654	2SC3421-Y
Q607,Q608	2212644	2SA1358-Y
Q621,Q622	2211792 or 2211793	2SA992-F or 2SA992-E

CIRCUIT NO.	PART NO.	DESCRIPTION
Q623,Q624	2214984 or 2214985	2SC2631-R or 2SC2631-S
	<b>Diodes</b>	
D851,D853	223163 or 223205 or 223222	1SS133 or 1SS270A or WG713A
D854	224470623	MTZJ6.2C, Zener
D855	223163 or 223205 or 223222	1SS133 or 1SS270A or WG713A
	<b>Coils</b>	
L601-L604	5597-45502	
	<b>Capacitors</b>	
C601,C602	393042217	CE04W16V, 220M, Elect.
C603,C604	374491044	MKS92 63V, 104J, Plastic
C605,C606	393054707	CE04W25V, 47M, Elect.
C607,C608	374491044	MKS92 63V, 104J, Plastic
C621-C624	374432234	MKS92 100V, 223J, Plastic
C637,C638	374434734	MKS92 100V, 473J, Plastic
C651-C654	393391007	CE04W100V, 10M, Elect.
C851	393322217	CE04W6.3V, 220M, Elect.
C852	393363307	CE04W35V, 33M, Elect.
C853	393384797	CE04W50V, 0.47M, Elect.
C855	393343317	CE04W16V, 330M, Elect.
C857,C858	374721044	ECQ-V50V, 104J, Plastic

CIRCUIT NO.	PART NO.	DESCRIPTION
	<b>Resistors</b>	
R609-612	443521004	RS1/2WBJ, 10, Metal oxide film
R613-R616	443521014	RS1/2WBJ, 100, Metal oxide film
R617,R618	5210255	N06HR, 200BC, Variable
R621-R624	443521504	RS1/2WBJ, 15, Metal oxide film
R625-R628	443521014	RS1/2WBJ, 100, Metal oxide film
R633-636	443523304	RS1/2WBJ, 33, Metal oxide film
R637-R640	443521004	RS1/2WBJ, 10, Metal oxide film
R641-R644	453532294	RNU1/2WCJ, 0.22, Metal
R651-R658	4000145	MPC78-2WK-0.1, Metal Plate
R683,R684	452830474	RNU3WCJ, 4.7, Metal
R691,R692	443623914	RS1WBJ, 390, Metal oxide film

CIRCUIT NO.	PART NO.	DESCRIPTION
	<b>Plugs</b>	
P621,P622	25055038	NPLG-2P29
P631,P632	25055872	NPLG-8P828
P753a,P754a	25055882	NPLG-3P838
P831a	25055132	NPLG-2P116
	<b>Socket AS</b>	
P503	2009990387	NSAS-6P0524
P504	2009990388	NSAS-6P0525

CIRCUIT NO.	PART NO.	DESCRIPTION
	<b>Socket</b>	
P631a	25051559	NSCT-8P1346
	<b>Relays</b>	
RL851,RL852	25065316	NRL-2P7A-DC12-043
RL853	25065469	NRL-2P1A-DC12-078
	27160357	Heat sink (S3)

## U-3 DRIVER L PC BOARD (NAETC-5537)

CIRCUIT NO.	PART NO.	DESCRIPTION
	<b>Transistors</b>	
Q601	2212864	2SC3419-Y
Q609	2202684 or 2202683	* 2SA1859-Y or * 2SA1859-O
Q611	2202694 or 2202693	* 2SC4883-Y or * 2SC4883-O

## U-4 DRIVER R PC BOARD (NAETC-5537)

CIRCUIT NO.	PART NO.	DESCRIPTION
	<b>Transistors</b>	
Q601	2212864	2SC3419-Y
Q609	2202684 or 2202683	* 2SA1859-Y or * 2SA1859-O

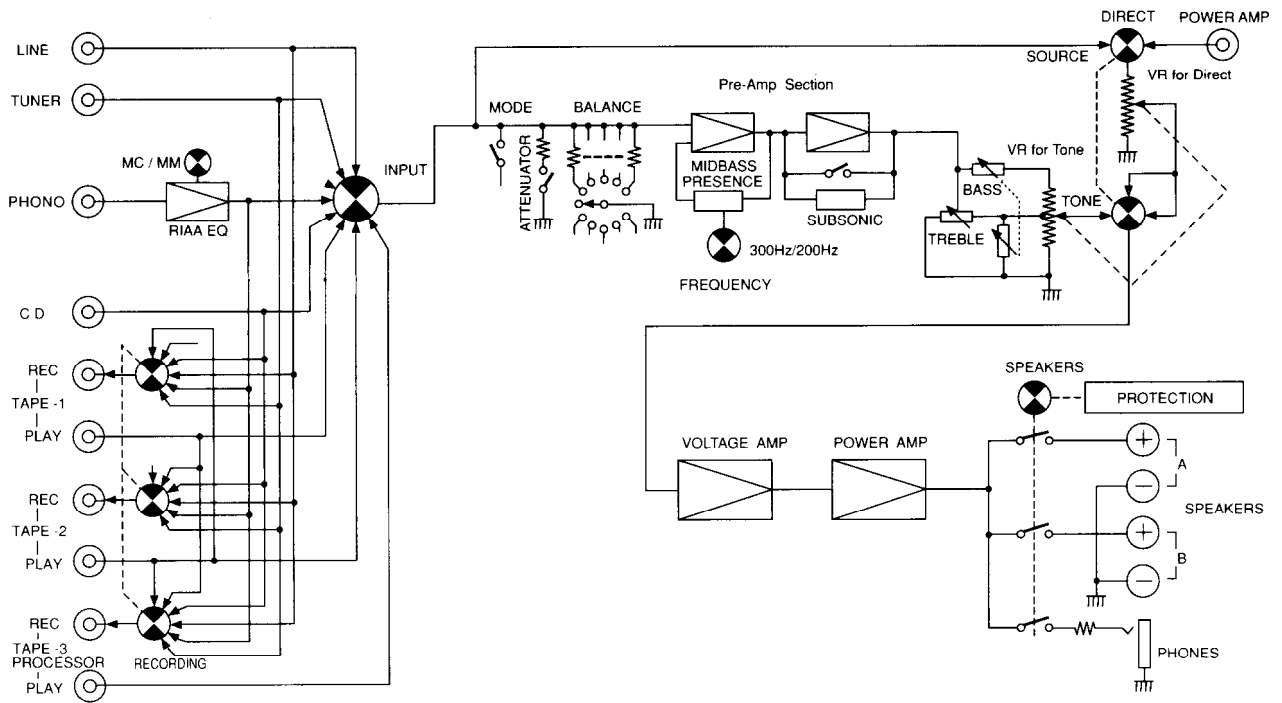
CIRCUIT NO.	PART NO.	DESCRIPTION
Q611	2202694 or 2202693	* 2SC4883-Y or * 2SC4883-O
U-5 SPEAKER TERMINAL L (NAETC-5538)		
CIRCUIT NO.	PART NO.	DESCRIPTION
	<b>Terminal</b>	
P653	25060237	NTM4PDMN159
U-6 SPEAKER TERMINAL R (NAETC-5541)		
CIRCUIT NO.	PART NO.	DESCRIPTION
	<b>Terminal</b>	
P654	25060237	NTM4PDMN159
U-7 POWER SUPPLY PC BOARD (NAPS-5549)		
CIRCUIT NO.	PART NO.	DESCRIPTION
	<b>Diodes</b>	
D921	22380270F	△D5FB60
D922,D923	223208F	6A2
D931,D941	22380039	△1D4B42
	<b>Capacitors</b>	
C921,C922	3504262	CE62W63V, 15000M, Elect.
C923,C924	374503345S	ME93M125V, 334K, Plastic
C926	374501055S	ME93M125V, 105K, Plastic
C931,C932	374722235	ECQ-B50V, 223K, Plastic
C933	393341027S	CE04W16V, 1000M, Elect.
C941,C942	393381027S	CE04W50V, 1000M, Elect.
C943,C944	374722235	ECQ-B50V, 223K, Plastic
C945	374732234	ECQ-V100V, 223J, Plastic
	<b>Resistors</b>	
R921	443525604	RS1/2WBJ, 56, Metal oxide film
R941	453530104	RNU1/2WCJ, 1, Metal
R943,R944	453530104	RNU1/2WCJ, 1, Metal
	<b>Plugs</b>	
P906	25055675	NPLG-2P631
P921	25055167	NPLG-4P151
P931	25055165	NPLG-2P149
P941	25055166	NPLG-3P150
P961a	25055715	NPLG-3P671
	<b>Socket AS</b>	
P831	2009990374	NSAS-4P0511
P922	2009990371A	NSAS-12P0508
U-8 POWER SWITCH PC BOARD (NCSW-5550)		
CIRCUIT NO.	PART NO.	DESCRIPTION
	<b>Capacitors</b>	
C901	3500191	△DE7150F103M, IS C
C903	3500191	△DE7150F103M, IS C <D>
		△WY2472MCMCFOK, IS C <P><W>
C904	3500163	△WY2472M, CMCFOK, IS C <W>
	<b>Fuse holders</b>	
F901a	25050065	YSH403T
F902a	25050065	YSH403T <P><W>
	<b>Switch</b>	
S901	25035614	△NPS-121-L576P, Push (Power)
	<b>Terminals</b>	
P904	25060103	2P-10 <P>
		3P-10 <W>
P905	25065425	GND
U-9 DIRECT TONE PC BOARD (NCAF-5552)		
CIRCUIT NO.	PART NO.	DESCRIPTION
	<b>Transistors</b>	
Q871	2211504	2SA950-Y
Q872	2213510	DTA114ES
	<b>Diode</b>	
D871	224470562	MTZJ5.6B, Zener

CIRCUIT NO.	PART NO.	DESCRIPTION
	<b>Capacitors</b>	
C331,C332	374721524	ECQ-B50V, 152J, Plastic
C333,C334	374431534	MKS92 100V, 153J, Plastic
C335,C336	374491544	MKS92 63V, 154J, Plastic
C337,C338	374432234	MKS92 100V, 223J, Plastic
	<b>Resistors</b>	
R331	5100001	N16RGMC100K 30F, Variable
R332	5144019	N16RQMC70K 88K30F, Variable
R479	5142016A	N16RGMC20KT 30F, Variable
	<b>Plugs</b>	
P401	25055703	NPLG-7P659
P431	25055411	NPLG-9P393
	<b>Jack</b>	
P871	25045337	HLJ4317-01-3120 (Phones)
	<b>Switch</b>	
S871	25030380	NRSF-125-30YW-S, Rotary (Speakers)
U-10 POWER INDICATOR PC BOARD (NADIS-5553)		
CIRCUIT NO.	PART NO.	DESCRIPTION
	<b>Diodes</b>	
D872	225324D or 225324C	SEL6910A-D, LED or SEL6910A-C, LED
D873	225321	SLR-342VR, LED
U-11 VOLUME INDICATOR PC BOARD (NADIS-5554)		
CIRCUIT NO.	PART NO.	DESCRIPTION
	<b>Diode</b>	
D801	225291D	SEL4910D-D, LED
	<b>Capacitor</b>	
C801	374724734	ECQ-V50V, 473J, Plastic
U-12 CONNECT PC BOARD (NADIS-5555)		
CIRCUIT NO.	PART NO.	DESCRIPTION
	<b>Capacitors</b>	
C802	374724734	ECQ-V50V, 473J, Plastic
C871	374724734	ECQ-V50V, 473J, Plastic
	<b>Plug</b>	
P801a	25055183	NPLG-2P167
U-13 INPUT SELECTOR PC BOARD (NADIS-5556)		
CIRCUIT NO.	PART NO.	DESCRIPTION
	<b>Diode</b>	
D802	225324D or 225324C	SEL6910A-D, LED or SEL6910A-C, LED
	<b>Socket AS</b>	
P801	2009990384	NSAS-4P0521
U-14 AC OUTLET PC BOARD (NAETC-5551)		
CIRCUIT NO.	PART NO.	DESCRIPTION
	<b>Switch</b>	
S904	25065437	△NSS-22157P, Slide (Voltage selector) <W>
	<b>Sockets</b>	
P903	25051121	△NSCT-6P908, AC Outlet <D>
		NSCT-2P1359 <P>
		NSCT-6P908 <W>
U-15 TONE CONTROL PC BOARD (NAAF-5542)		
CIRCUIT NO.	PART NO.	DESCRIPTION
	<b>Transistors</b>	
Q431,Q432	2211732 or 2211733	2SC1845-F or 2SC1845-E
Q433,Q434	2211792 or 2211793	2SA992-F or 2SA992-E
Q435,Q436	2211732 or	2SC1845-F or

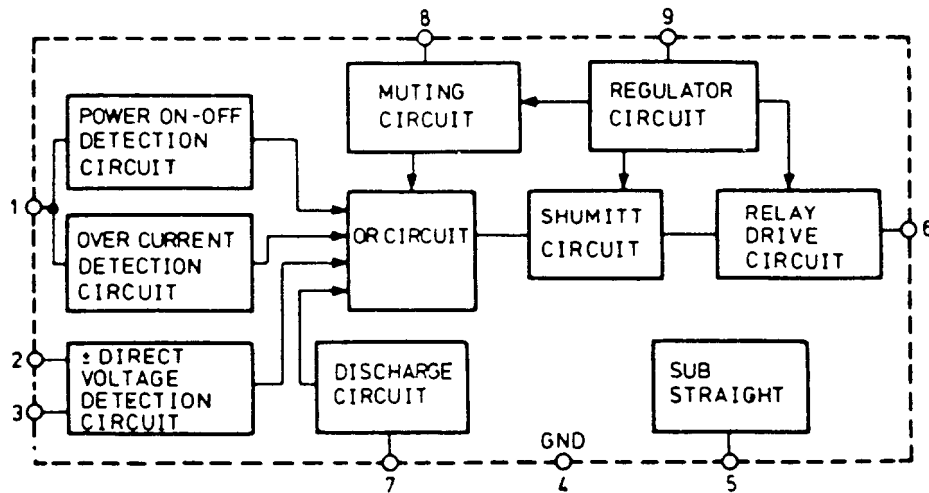




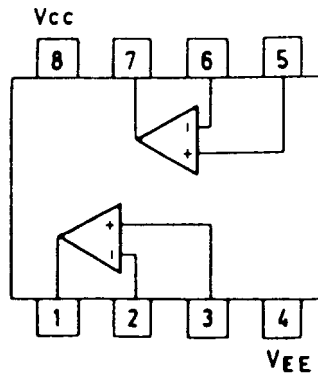
# BLOCK DIAGRAM



## IC BLOCK DIAGRAMS TA7317P (PROTECTIVE CIRCUIT)

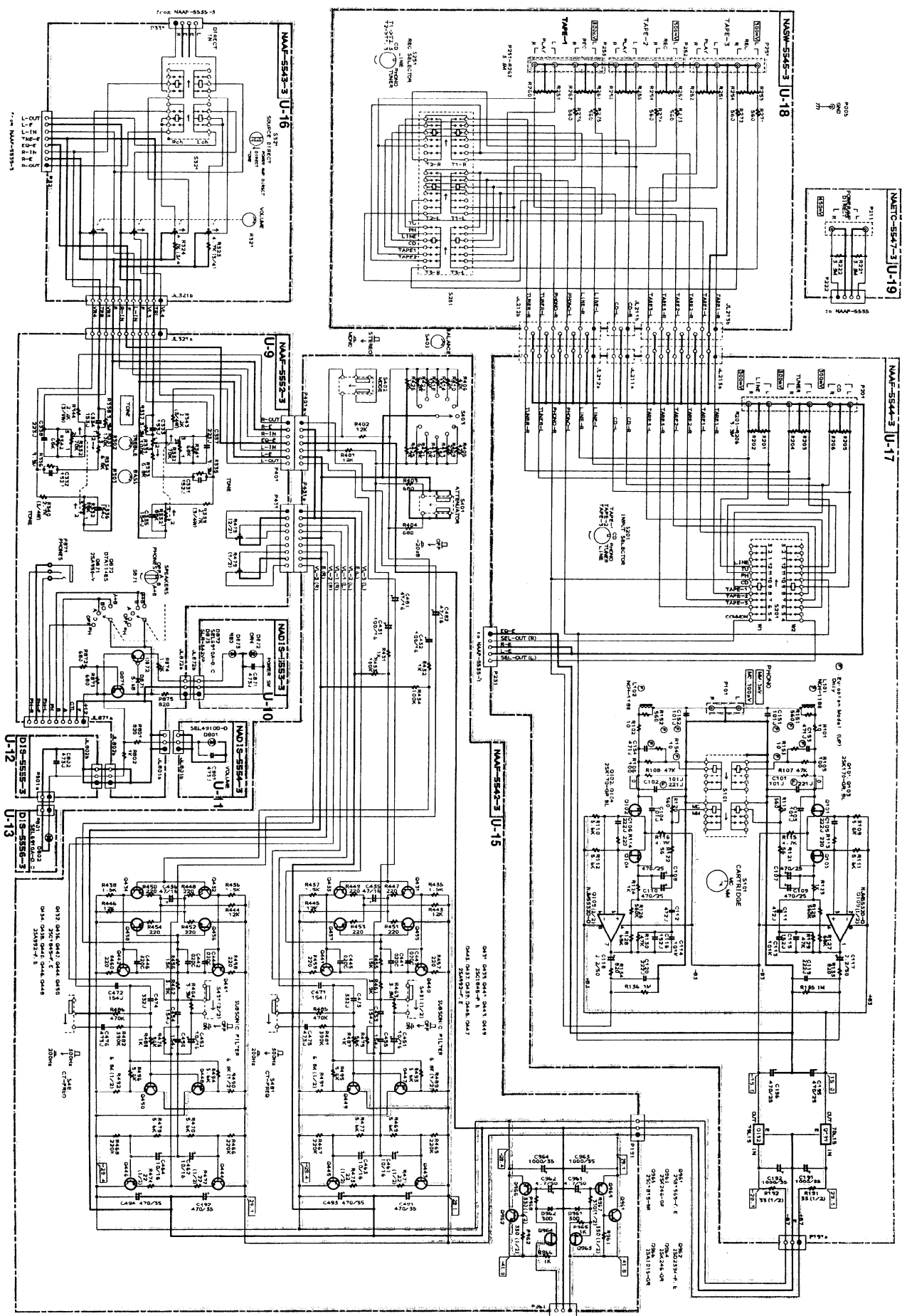


## NJM4560DX (OPAMP)



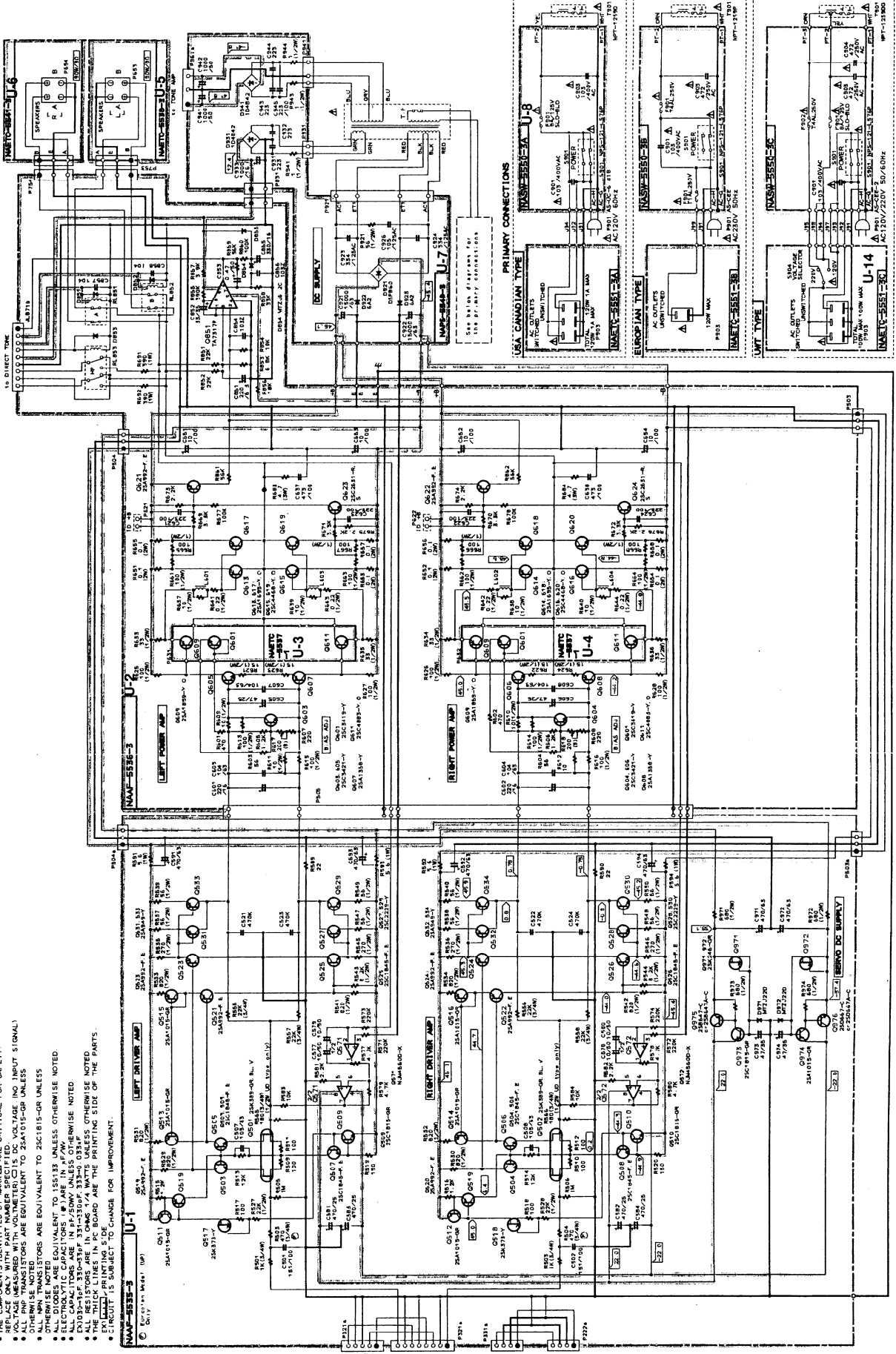
SCHEMATIC DIAGRAMS (1/2)

A B C D E F G



SCHEMATIC DIAGRAMS (2/2)

- NOTE**
- THE COMPONENTS IDENTIFIED BY MARK  $\Delta$  ARE CRITICAL FOR SAFETY.
  - REPLACE ONLY WITH PART NUMBER SPECIFIED. VOLTAGE AND INPUT SIGNAL.
  - ALL PNP TRANSISTORS ARE EQUIVALENT TO 2N4101-OR UNLESS OTHERWISE NOTED.
  - ALL DIODES ARE EQUIVALENT TO 1N4001-OR UNLESS OTHERWISE NOTED.
  - ALL CAPACITORS ARE EQUIVALENT TO 25C1815-OR UNLESS OTHERWISE NOTED.
  - ALL DIODES ARE EQUIVALENT TO 1N4001-OR UNLESS OTHERWISE NOTED.
  - ALL CAPACITORS ARE EQUIVALENT TO 25C1815-OR UNLESS OTHERWISE NOTED.
  - THE THICK LINES IN PC BOARD ARE THE PRINTING SIDE OF THE PARTS.
  - EXPLODED PRINTING SIDE.
  - $\Delta$  INDICATES SUBJECT TO CHANGE FOR IMPROVEMENT.



# PACKING PARTS LIST

REF. NO.	PART NO.	DESCRIPTION
601	29052966	Carton Box <B>
	29052967	Carton Box <S>
	29052968	Carton Box <G>
602	29360404	SN Sheet
603	29091425E	Pad (L)
604	29091426F	Pad (R)
605	29091731	Pad (SP)
607	261504	Paper Tape W=30
613	29100035A	Poly Bag
614	282301	Staple
615	29110071	PP Tape W=50
	29100097-1AY	Poly Bag 350x250
	29355133A	Insert Sheet (DBP) <B><S> <P>
	29361934	UPC Label <B> <D>
	29361946	UPC Label <G> <D>
	29358002K	SS List <D>
	29365019B	Warranty Card <D>
	29342259A	Instruction manual, E <D>
	29342260	Instruction manual, U6 <P>
	29342262	Instruction manual, T <W><T>
	25055018	△ CV-K-1, CV Plug <W>

NOTE: <S> Silver Color  
 <B> Black Color  
 <G> Golden Color  
 <D> U.S.A. and Canada model  
 <P> 230V model  
 <W> Worldwide model  
 <T> Taiwanese model